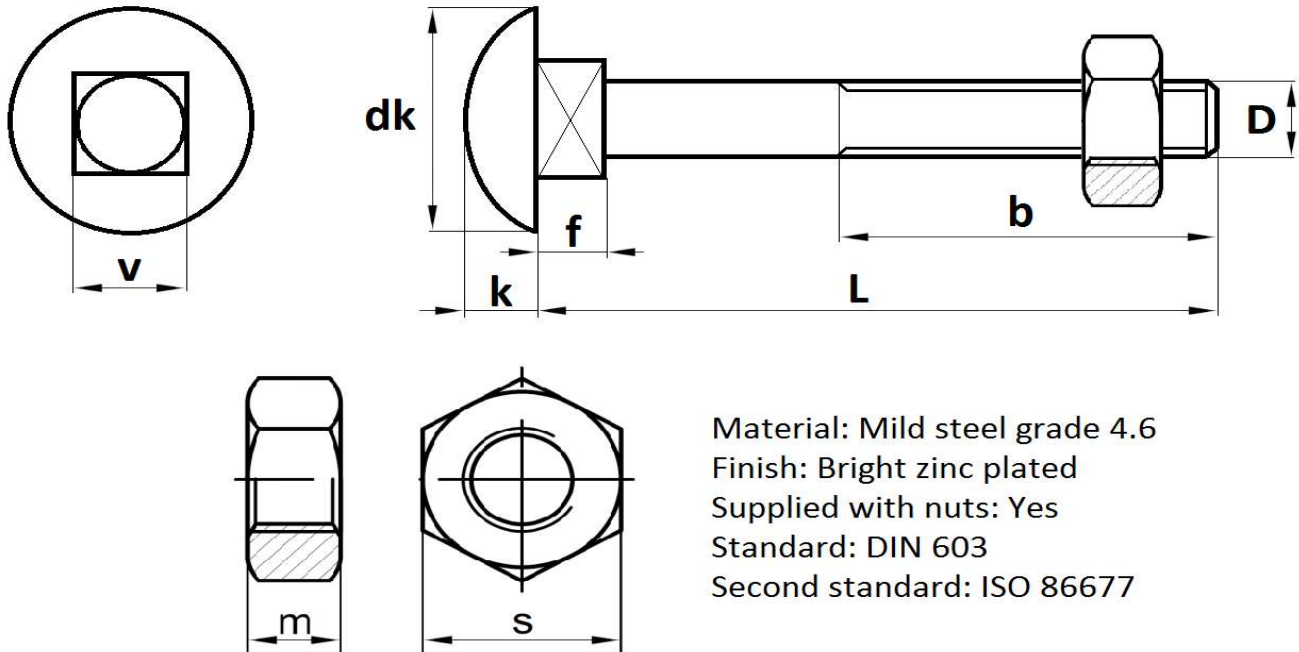




## DIN 603 Coach Bolts / Carriage Bolts Supplied With DIN 934 Full Nuts



Material: Mild steel grade 4.6  
 Finish: Bright zinc plated  
 Supplied with nuts: Yes  
 Standard: DIN 603  
 Second standard: ISO 86677

[www.tcfixings.co.uk/coach-bolts](http://www.tcfixings.co.uk/coach-bolts)

01799 520640

This PDF is copyright by TC Fixings Ltd

<b>Coach Bolts / Carriage Bolts DIN 603 Specifications</b>								
All sizes listed below are in millimetres (mm)								
D		<b>M5</b>	<b>M6</b>	<b>M8</b>	<b>M10</b>	<b>M12</b>	<b>M16</b>	<b>M20</b>
Pitch		.80	1.00	1.25	1.50	1.75	2.00	2.50
dk	max	13.55	16.55	20.65	24.65	30.65	38.80	46.80
	min	12.45	15.45	19.35	23.35	29.35	37.20	45.20
v	max	5.48	6.48	8.58	10.58	12.70	16.70	20.84
	min	4.52	5.52	7.42	9.42	11.30	15.30	19.16
f	max	4.10	4.60	5.60	6.60	8.75	12.90	15.90
	min	2.90	3.40	4.40	5.40	7.25	11.10	14.10
k	max	3.30	3.88	4.88	5.38	6.95	8.95	11.05
	min	2.70	3.12	4.12	4.62	6.05	8.05	9.95
s	max	8.00	10.00	13.00	17.00	19.00	24.00	30.00
	min	7.78	9.78	12.73	16.73	18.67	23.67	29.16
m	max	4.00	5.00	6.50	8.00	10.00	13.00	16.00
	min	3.70	4.70	6.14	7.64	9.64	12.30	14.90
b	Not specified by DIN 603 - please call us if you have any specific requirements							